

OPERATION MANUAL

⚠ Please read first before starting work ⚠

HYDRAULIC JACKS JHS



JHS 3

JHS 5

JHS 10

Type		JHS 3	JHS 5	JHS 10
Full load capacity	kg/lbs	3 000	5 000	10 000
Minimum lift toe height	mm/in	15/0.5"	15/0.5"	20/0.8"
Top plate height	mm/in	330/13"	350/13.8"	400/15.8"
Maximum lift toe height	mm/in	230/9"	245/9.6"	300/11.8"
Measurement L x B x H	mm	230 x 180 x 330	170 x 145 x 350	205 x 200 x 400
	inch	9" x 6.4" x 13"	6.7" x 5.7" x 13.8"	8.1" x 7.9" x 15.8"
Weight	mg/lbs	7/15.4	9,9/21.8	17,7/39
Maximum working pressure	bar	520	520	520

RECOMMENDED USE

These jacks are designed specifically for lifting heavy loads vertically. They should only be used on solid level ground. Do not use on a slope.

- The load must have a suitably strong pick-up point which will accept the full surface of the lifting toe.
- Do not exceed the maximum load recommended in this document and shown on the identification plate on the jack. Do not exceed the maximum working pressure also shown as mentioned. **Use of other than JUNG hydraulic pumps will be under full risk of the user, the maximum working pressure must be adjusted correctly to the maximum allowed working pressure of the jacks.**
- **Always lower the jack slowly and carefully.** Otherwise the guide of the housing may be damaged due to the high friction forces!!!
- These products are not designed for lifting or moving people, agriculture or food manufacturing machines or mobile devices.
- These products are not designed for use in extreme environment (i.e. under hazardous, explosive, flammable or corrosive conditions)

Any use other than that recommended must be avoided. The manufacturer or supplier is not liable for any damage resulting from improper use of the jack. Accidents resulting from improper use are the responsibility of the user. The user should read these operating and service instructions carefully before attempting to use the jack. Particular attention should be paid to the

Safety Instructions on page 5

CONTENTS

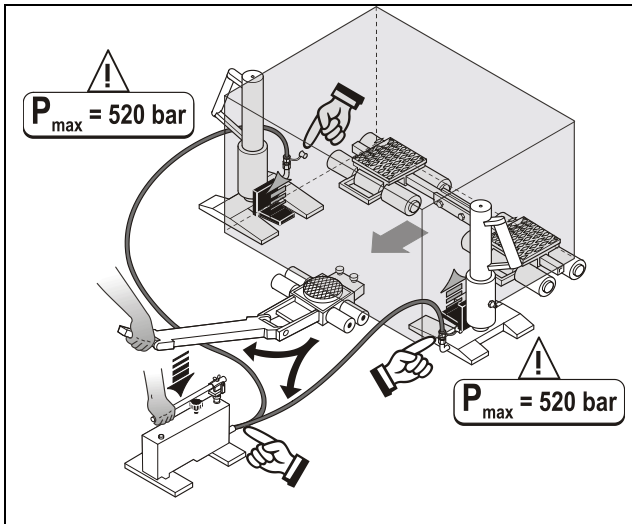
Operating instructions	Page 2-4
Spare parts list	Page 4
Safety Instructions, Declaration of Conformity	Page 5

Lift and move
loads safely



OPERATING INSTRUCTIONS FOR ALL JHS-MODELS

GENERAL INFORMATION



In purchasing the JUNG jack you have made a wise decision. This small power package makes your lifting and transport jobs child's play.

The drawing on the left illustrates a possible combination for the ideal use of JUNG equipment.

All units can be stored in a minimum of space, are easily transportable and are therefore an indispensable help when travelling.

Connection of the equipment:

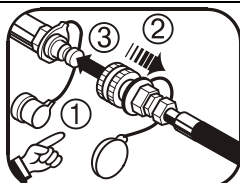
Connect each hydraulic hose as shown to pump and jack.



Recommendation:

Work parallel with two jacks when transporting huge loads. Use a JUNG central pump. (see picture beside)

FITTING/STARTING OPERATION



Only use on solid level ground!



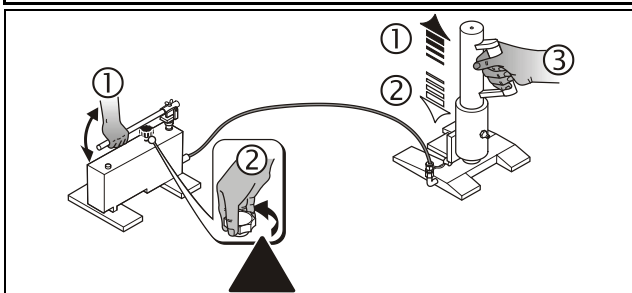
The jack must be without pressure!

+ Connect hydraulic hose

- ① Pull off the caps.
 - ② While you draw back the grooved hull,
 - ③ Press the hose on the connecting piece.
- Then let loose the grooved hull.



If you use other than JUNG hydraulic pumps ensure the maximum working pressure is adjusted correct to the maximum allowed working pressure of 520 bar!

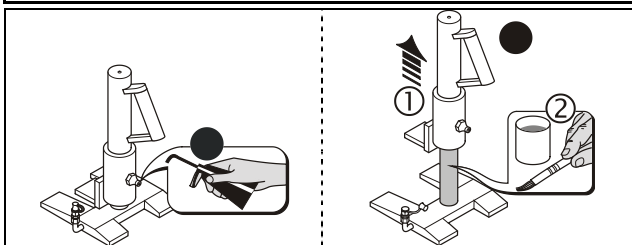


- ① Lift loads Moving pump lever up and down
- ② Lower loads Loose lowering screw carefully.
- ③ Transport of the jack



(Close lowering screw after works, otherwise no further load will be lifted.)

MAINTENANCE

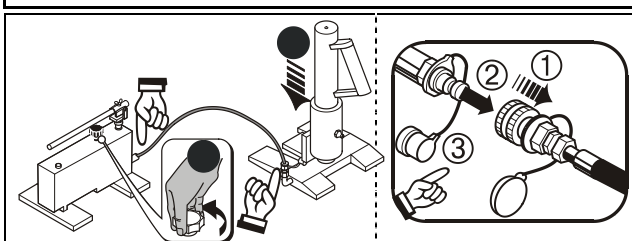


- Grease your jack regularly on the grease nipple with a grease gun with usual grease.

● If no grease gun available:

- ① Lift up the jack to upper position
- ② Grease the contact surface with a brush

DISCONNECT THE EQUIPMENT



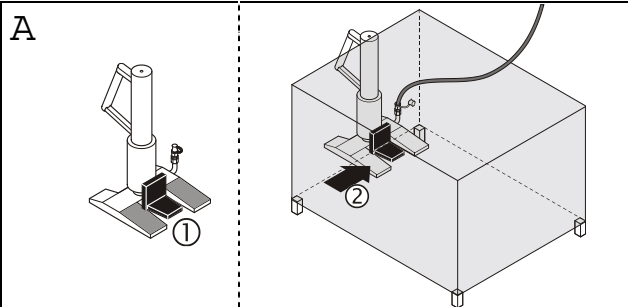
- Open lowering screw on the pump and push back the jack in his initial position.

+ Than pull of the hose!

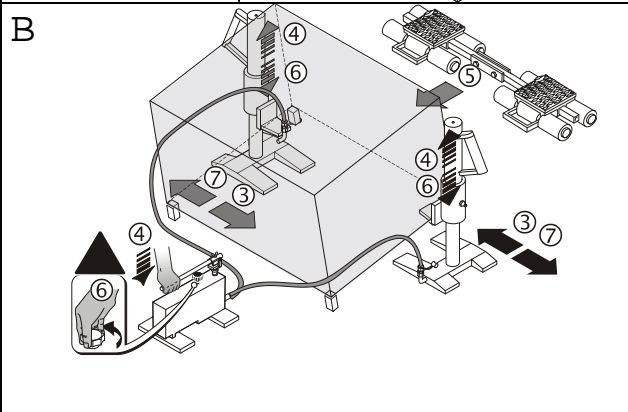
- ① Pull back grooved hull
- ② Remove hydraulic hose
- ③ Mount protecting caps

OPERATING INSTRUCTION

OPERATION The goods to be transported have floor clearance



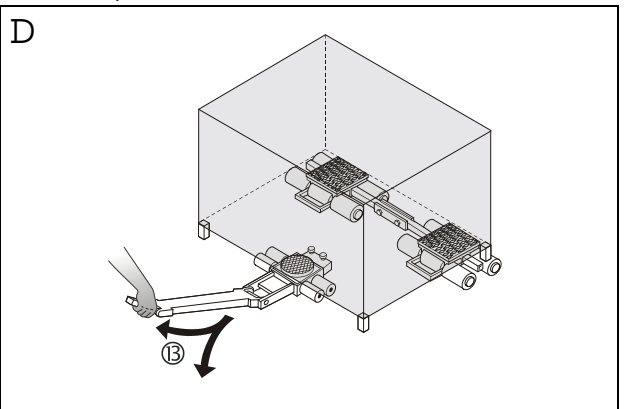
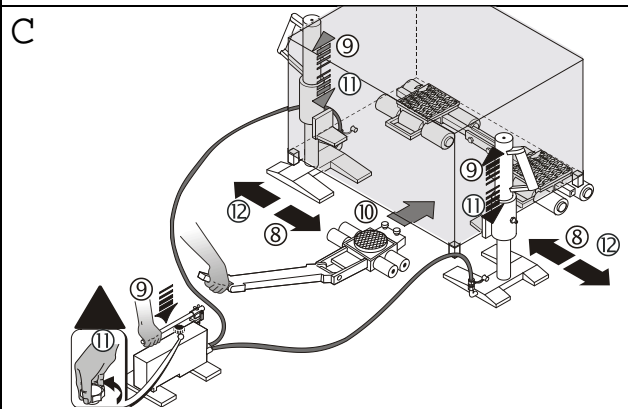
- ① Align lifting toe parallel to the longer support legs.
- ② Apply the lifting toe to a suitable strong pick-up point which will accept the full surface of the toe.



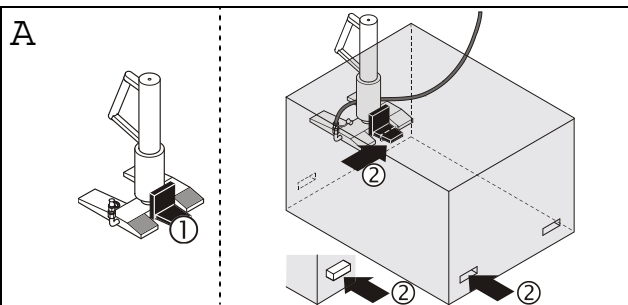
- ③ ④ ⑤ Lift up first the rear edge of the load, and then put the adjustable trolley cassettes with the connection bar under the load.
- ⑥ ⑦ Lower jack while loosen the lowering screw slowly and carefully.
- ⑧ ⑨ ⑩ Lift up the front edge of the load and place the steerable trolley under the load.
- ⑪ ⑫ Lower the jack by loosening the lowering screw slowly and carefully.

⚠ Don't forget:
Tighten the lowering screw after lowering!

- ⑬ Transport of the load

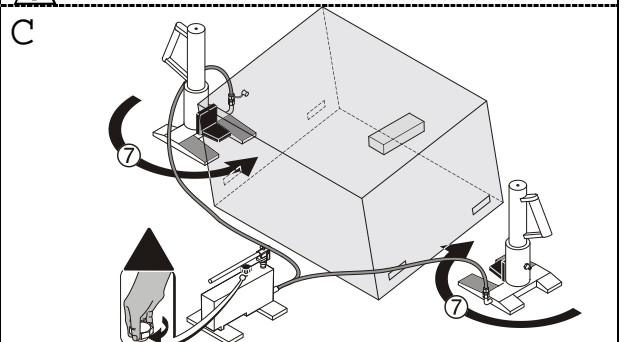
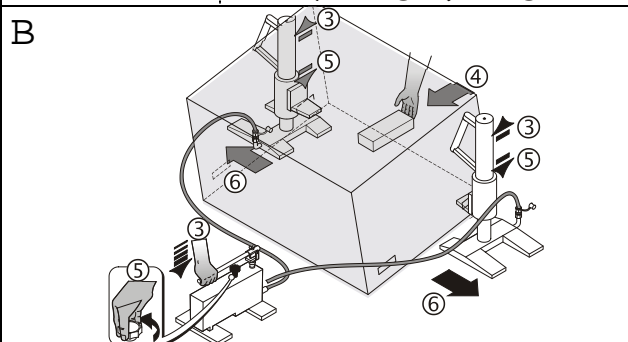


OPERATION Goods to be transported have no floor clearance

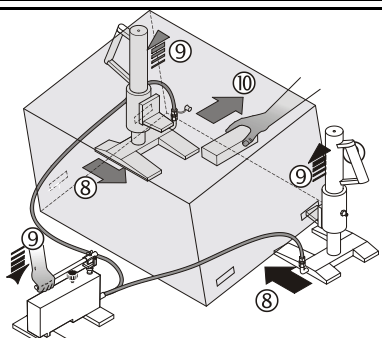
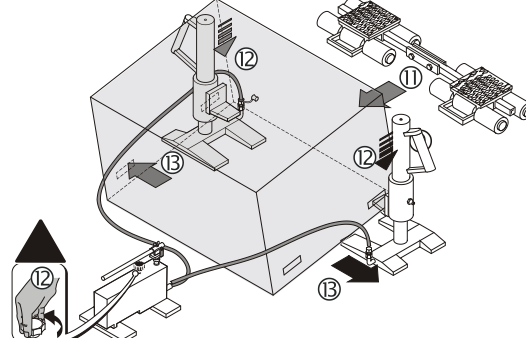
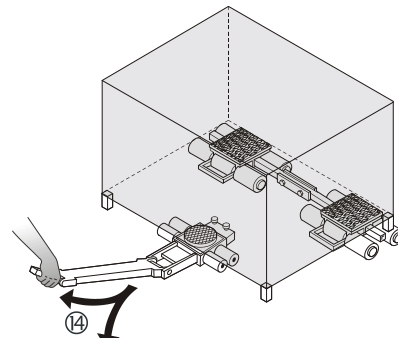


- ① ② Align lifting toe parallel to the shorter support legs by turning the slide with the toe against the base with the feet for 180°. Apply the lifting toe to a suitable strong pick-up point which will accept the full surface of the toe.
- ③ ④ Lift up the load slightly, push a sufficiently stable object underneath and lower the load to that object.
- ⑤ ⑥ Lower the jack and turn it off from the load.
- ⑦ Align lifting toe parallel to the longer support legs.

⚠ Tighten the lowering screw after lowering!



OPERATING INSTRUCTIONS

OPERATION	Goods to be transported have no floor clearance	(Continuation)												
D		<table border="1" style="width: 100%; border-collapse: collapse;"> <tr> <td style="width: 5%; text-align: center;">⑧</td> <td>Apply the lifting toe again.</td> </tr> <tr> <td style="text-align: center;">⑨</td> <td>Lift up the load and remove the object from the load</td> </tr> <tr> <td style="text-align: center;">⑩</td> <td></td> </tr> <tr> <td> </td> <td> </td> </tr> <tr> <td> </td> <td> </td> </tr> <tr> <td> </td> <td> </td> </tr> </table>	⑧	Apply the lifting toe again.	⑨	Lift up the load and remove the object from the load	⑩							
⑧	Apply the lifting toe again.													
⑨	Lift up the load and remove the object from the load													
⑩														
E		<table border="1" style="width: 100%; border-collapse: collapse;"> <tr> <td style="width: 5%; text-align: center;">⑪ ⑫ ⑬</td> <td>Place the adjustable trolley under the load, lowering and turn back the jacks.</td> </tr> <tr> <td style="text-align: center;">⚠</td> <td>Don't forget: Tighten the lowering screw!</td> </tr> <tr> <td> </td> <td> </td> </tr> <tr> <td> </td> <td> </td> </tr> <tr> <td> </td> <td> </td> </tr> </table>	⑪ ⑫ ⑬	Place the adjustable trolley under the load, lowering and turn back the jacks.	⚠	Don't forget: Tighten the lowering screw!								
⑪ ⑫ ⑬	Place the adjustable trolley under the load, lowering and turn back the jacks.													
⚠	Don't forget: Tighten the lowering screw!													
F		<table border="1" style="width: 100%; border-collapse: collapse;"> <tr> <td> </td> <td>Then lift up the front edge of the load and place the steerable trolley under the load.</td> </tr> <tr> <td style="text-align: center;">⑭</td> <td>Transport of the load</td> </tr> <tr> <td> </td> <td> </td> </tr> <tr> <td> </td> <td> </td> </tr> </table>		Then lift up the front edge of the load and place the steerable trolley under the load.	⑭	Transport of the load								
	Then lift up the front edge of the load and place the steerable trolley under the load.													
⑭	Transport of the load													